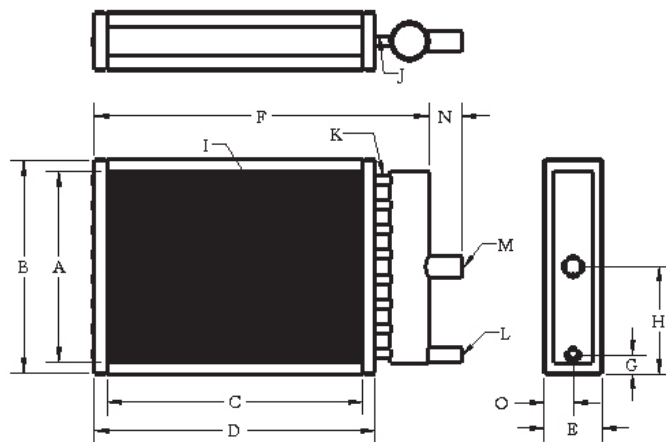




How to Measure a Coil



A - Fin Height (FH): height of the fins measured in the same direction as the header.

B - Case Height (CH): height of the coil measured from outer case flange to outer case flange, in the same direction as the fin height.

C - Fin Length (FL): length of the fins measured in the same direction as the tubes.

D - Case Length (CL): length of the coil measured from outer case flange to outer case flange, in the same direction as the tubes.

E - Case Depth (CD): depth of the coil in the direction of airflow.

F - Overall Length (OAL): length of the coil measured from the outer case flange or return bends on the back of the coil to the front of the header, not including connections.

G - Return Connection Location: connection location measured from the bottom of the coil to the centerline of the connection.

H - Feed Connection Location: connection location measured from the bottom of the coil to the centerline of the connection.

I - Fins Per Inch (FPI): count the number of fins in a 4" run and divide by 4.

J - Number of Rows of Tubes: on the backside of the coil (opposite header end) count the number of rows.

K - Tube Diameter (OD): outer diameter of the tubes in the fin bundle entering the headers.

L - Return Connection Size: for pipe sizes measure the inside and outside diameter of the connection.

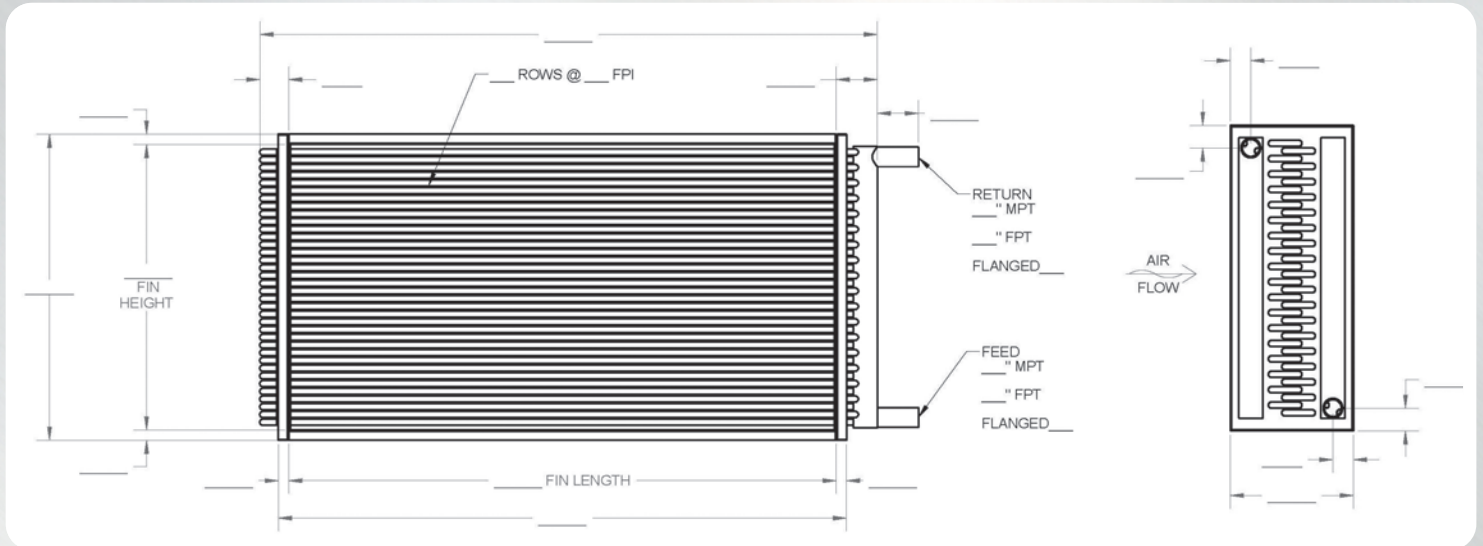
M - Feed Connection Size: for pipe sizes measure the inside and outside diameter of the connection.

N - Connection Length: length that the connection extends from the face of the header.

O - Connection Centerline: centerline of each connection measured from the edge of the coil case.

How to Measure a Coil

Detailed Drawing



Peace of Mind.

Our 5-Year Warranty. Durable. Reliable. Proven.

Our 5-Year warranty demonstrates our products are engineered to perform and built to last. Since 1995 we have stood behind our work. Durable. Reliable. Proven. Ultimately, this is about your peace of mind. Contact us today to learn more.



SAI GLOBAL
ISO 9001
Quality

Advanced Coil

2929 West Park Drive | Owatonna, MN 55060 | 507-451-0130 | advancedcoiltechnology.com