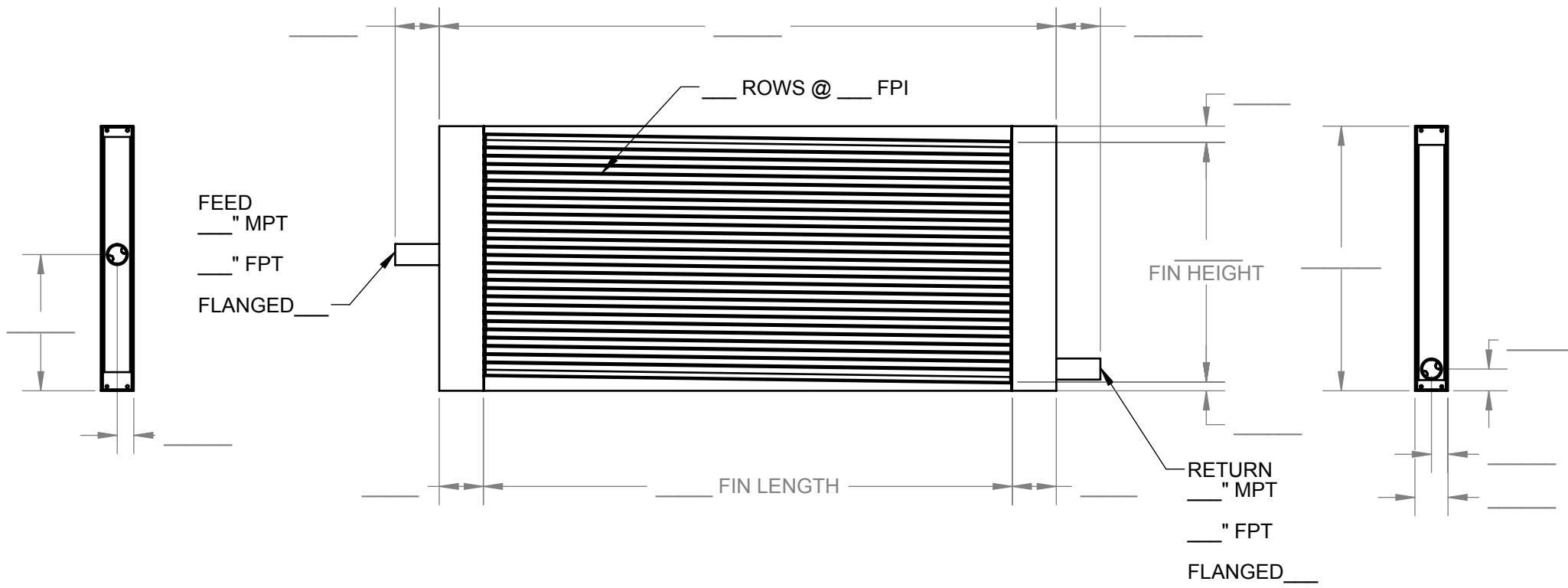
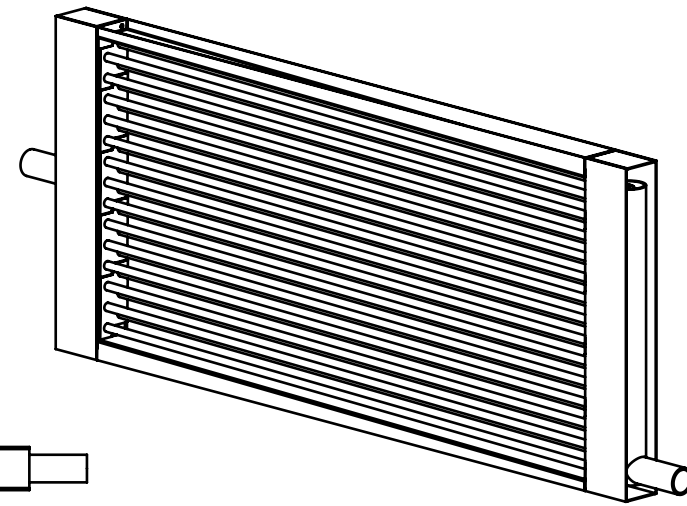


TUBE:
 FIN:
 HEADER:
 CONNECTION:
 CASE:



Advanced coil
 Technology, LLC

DRAWING DESCRIPTION
 STEAM COIL
 MODEL S or DO - BAFFLED PITCHED CASE

THIS DRAWING IS THE EXCLUSIVE
 PROPERTY OF ADVANCED COIL
 TECHNOLOGY, LLC AND MAY NOT BE
 REPRODUCED OR DISTRIBUTED
 WITHOUT EXPRESS WRITTEN CONCENT.
 DRAWN BY: _____ DATE: _____
 CHECKED BY: _____ DATE: _____

TOLERANCES UNLESS NOTED	MACH	WELD	FAB	FINISH
FRACTION	1/32	1/8	1/16	REMOVE BURRS & SHARP EDGES
DECIMAL	.03	.125	.06	DO NOT SCALE DRAWING
ANGLE	1/2*	1*	1*	

MATL: _____ SQ. IN: _____
 WIDTH: _____ LENGTH: _____
 BEND ALLOW. _____

APPROVED BY: _____ DATE: _____
 DWG. NO. **S** SHEET **BP**

REV	DATE	DESCRIPTION	BY

DWG. NO. **S**

SHEET **BP**