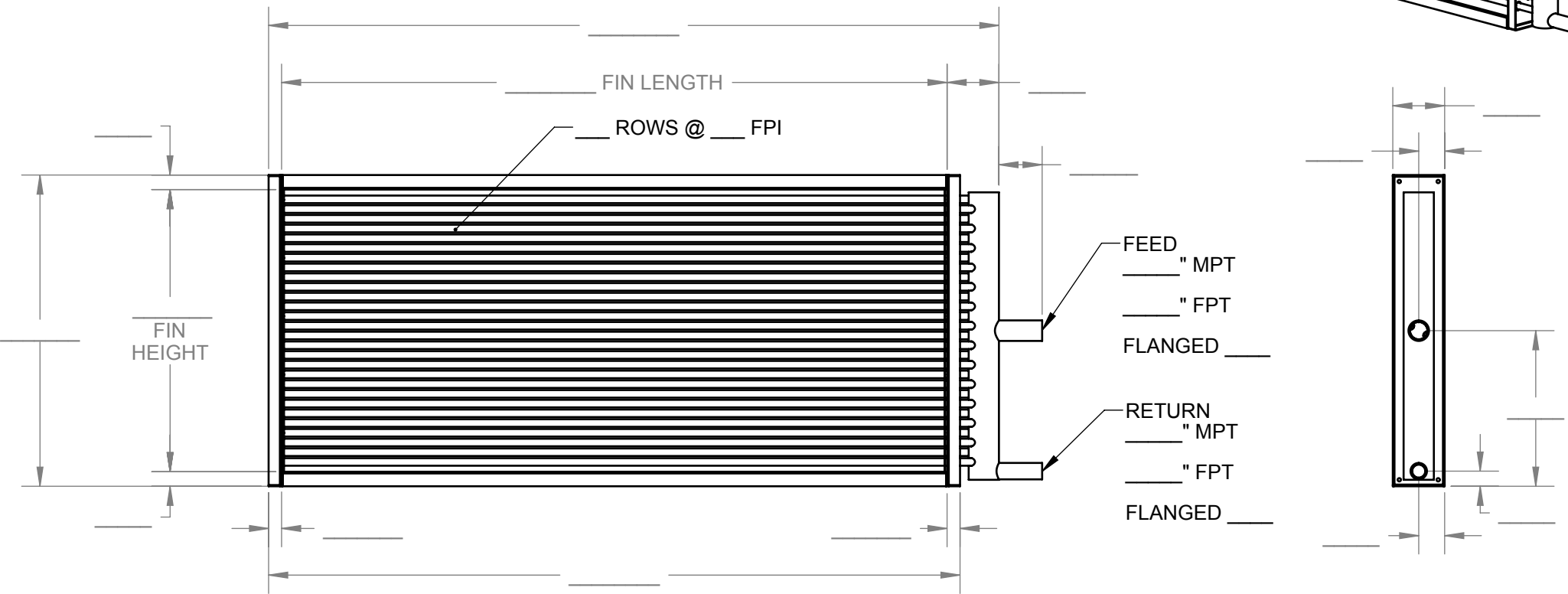
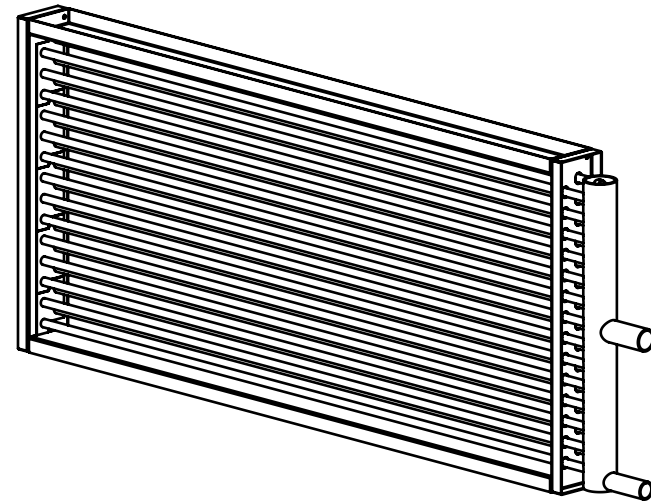


TUBE:  
 FIN:  
 HEADER:  
 CONNECTION:  
 CASE:



|     |          |             |    |  |  |
|-----|----------|-------------|----|--|--|
| DS  | DWG. NO. |             |    |  |  |
|     | SHEET    |             |    |  |  |
| REV | DATE     | DESCRIPTION | BY |  |  |

**Advanced coil**  
 Technology, LLC

|   |      |      |      |                                 |
|---|------|------|------|---------------------------------|
| TOLERANCES<br><small>UNLESS NOTED</small> | MACH | WELD | FAB  | FINISH                          |
| FRACTION                                  | 1/32 | 1/8  | 1/16 | REMOVE BURRS & SHARP EDGES      |
| DECIMAL                                   | .03  | .125 | .06  | <b>DO NOT<br/>SCALE DRAWING</b> |
| ANGLE                                     | 1/2° | 1°   | 1°   |                                 |

|  |         |
|--|---------|
| DRAWING DESCRIPTION                    |         |
| STEAM COIL<br>MODEL DS - STANDARD CASE |         |
| MATL:                                  | SQ. IN: |
| WIDTH:                                 | LENGTH: |
| BEND ALLOW.                            |         |

|  |       |
|--|-------|
| THIS DRAWING IS THE EXCLUSIVE PROPERTY OF ADVANCED COIL TECHNOLOGY, LLC AND MAY NOT BE REPRODUCED OR DISTRIBUTED WITHOUT EXPRESS WRITTEN CONCENT |       |
| DRAWN BY:  | DATE: |
| CHECKED BY:  | DATE: |
| APPROVED BY:   | DATE: |
| DWG. NO.   | SHEET |
| DS   | S     |