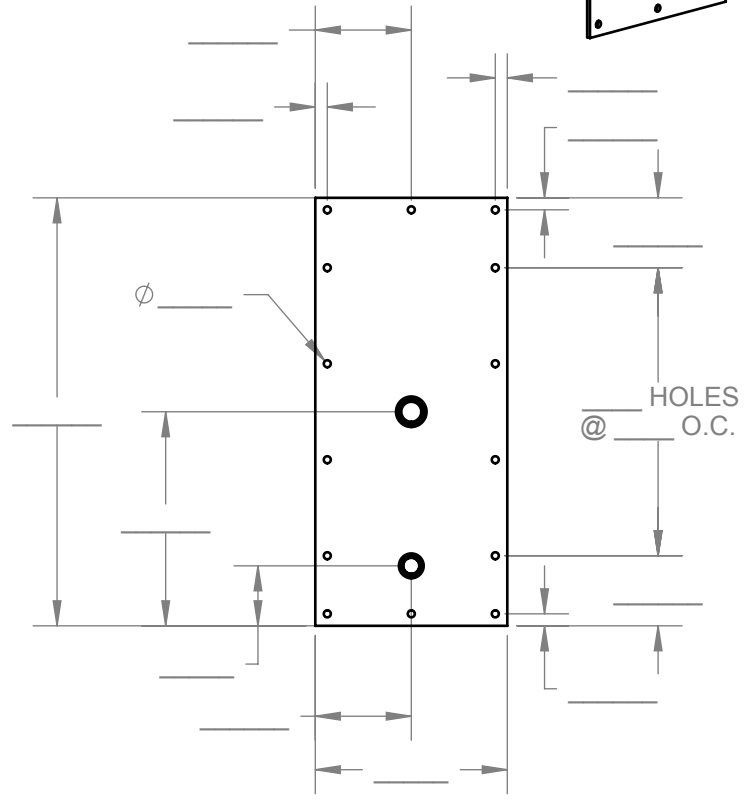
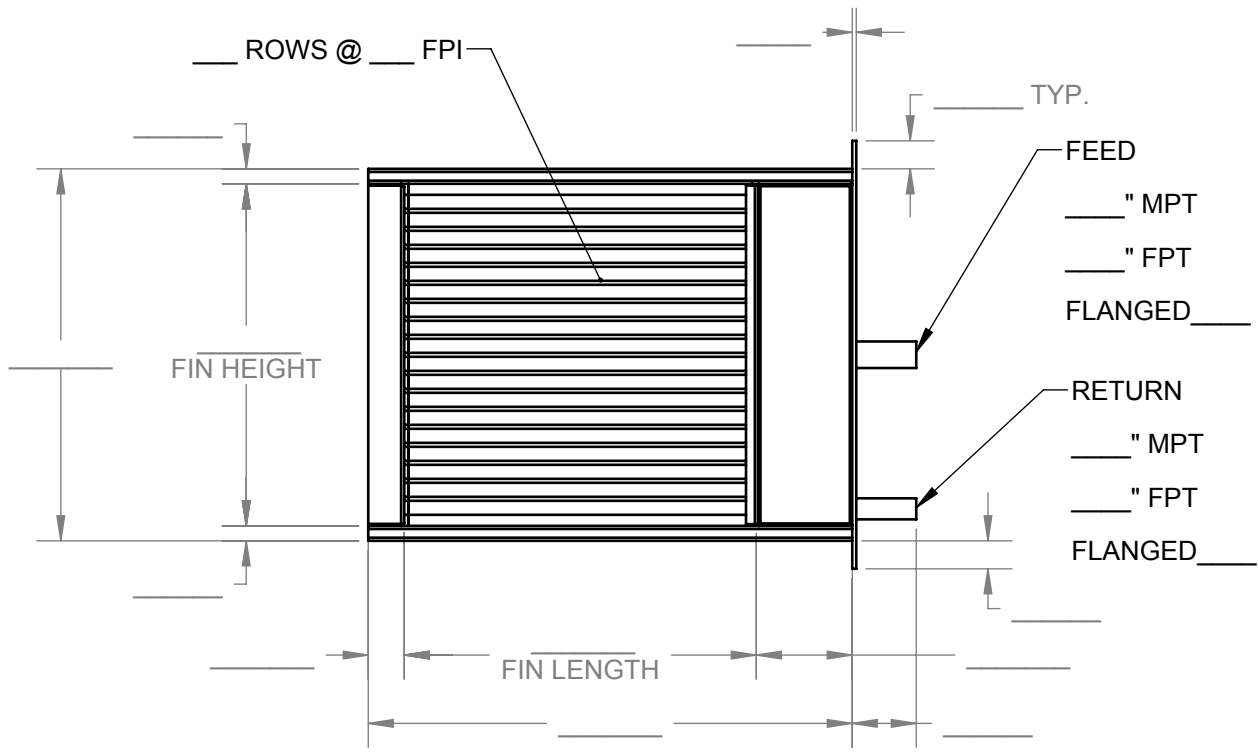
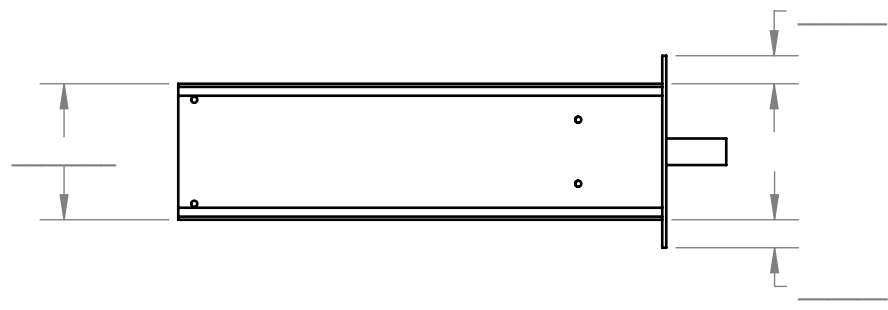
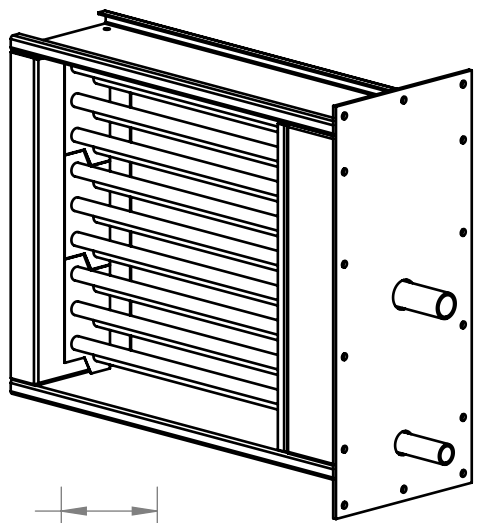


TUBE:
 FIN:
 HEADER:
 CONNECTION:
 CASE:



DS
 SO

DWG. NO.					
SHEET NO.					
REV	DATE	DESCRIPTION	BY	ANGLE	1/2" 1" 1"

Advanced coil

Technology, LLC

TOLERANCES UNLESS NOTED	MACH	WELD	FAB	FINISH
FRACTION	1/32	1/8	1/16	REMOVE BURRS & SHARP EDGES
DECIMAL	.03	.125	.06	DO NOT SCALE DRAWING

DRAWING DESCRIPTION

STEAM COIL
 MODEL DS - SLIDE OUT CASE

MATL:	SQ. IN:
WIDTH:	LENGTH:
BEND ALLOW.	

THIS DRAWING IS THE EXCLUSIVE PROPERTY OF ADVANCED COIL TECHNOLOGY, LLC AND MAY NOT BE REPRODUCED OR DISTRIBUTED WITHOUT EXPRESS WRITTEN CONCENT.

DRAWN BY: _____ DATE: _____

CHECKED BY: _____ DATE: _____

APPROVED BY: _____ DATE: _____

DWG. NO. **DS** SHEET **SO**