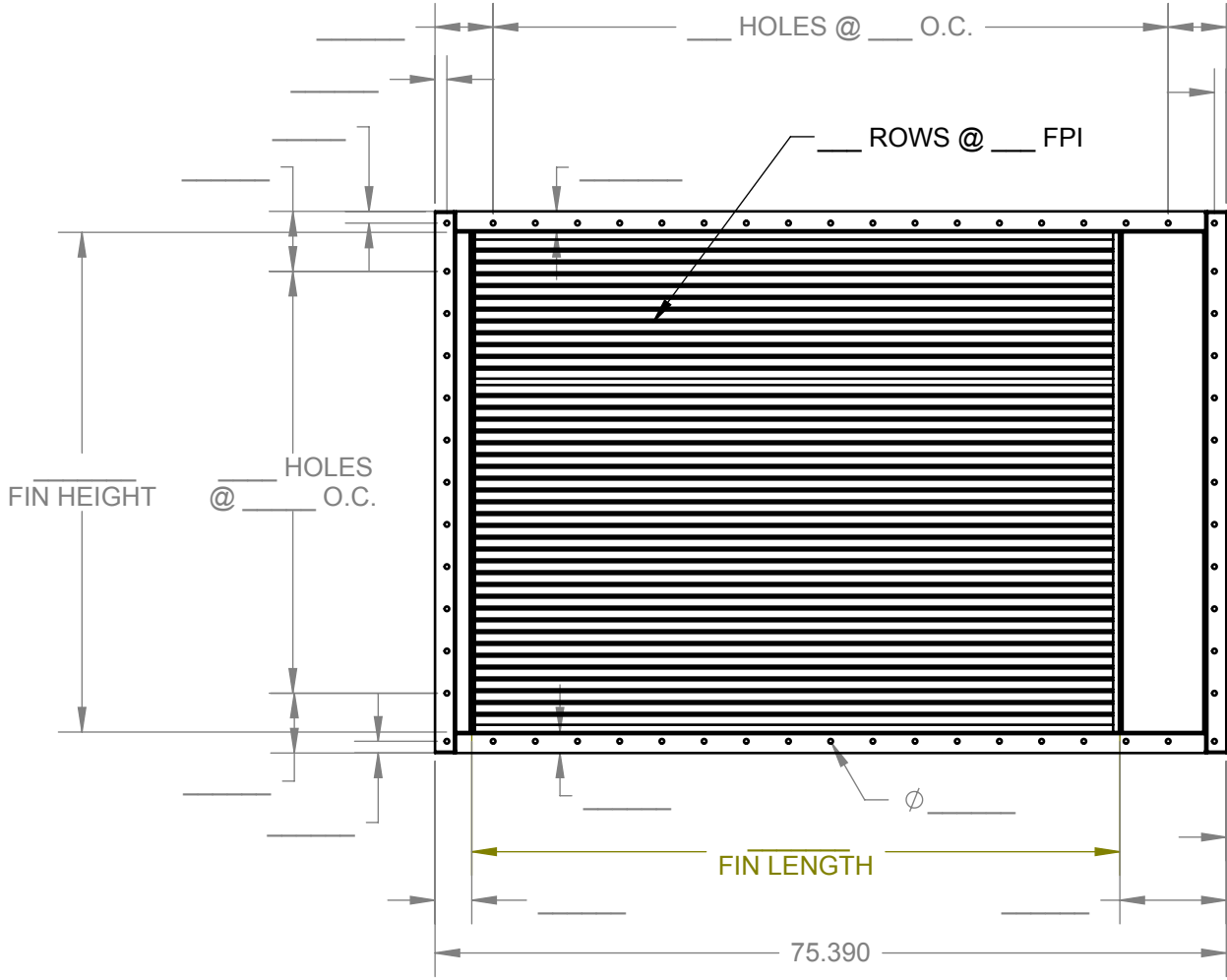
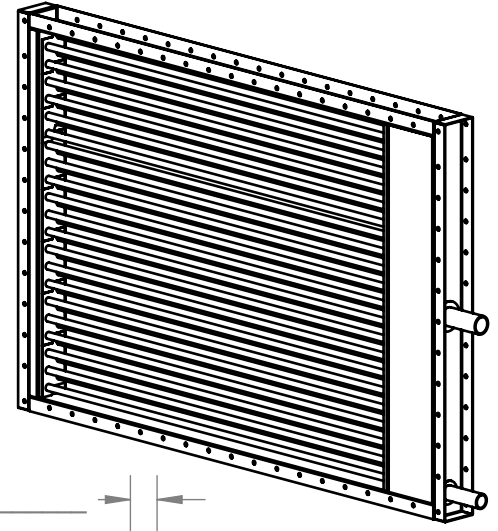
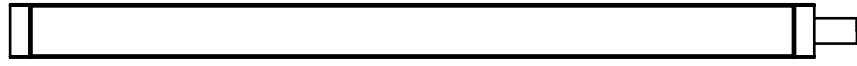
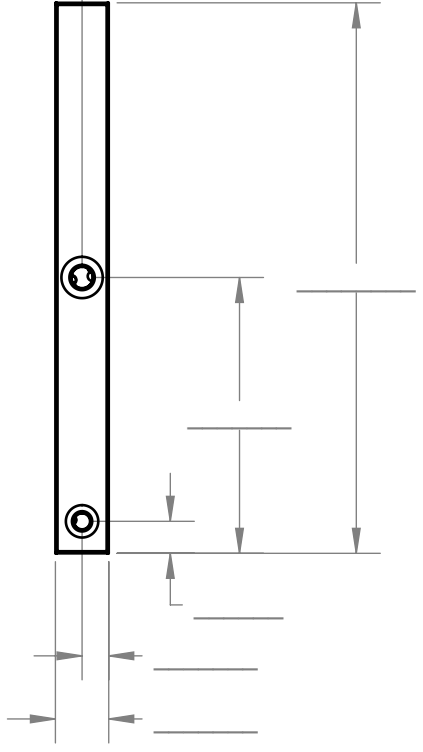


TUBE:  
 FIN:  
 HEADER:  
 CONNECTION:  
 CASE:



FEED  
 \_\_\_" MPT  
 \_\_\_" FPT  
 FLANGE \_\_\_

RETURN  
 \_\_\_" MPT  
 \_\_\_" FPT  
 FLANGE \_\_\_



DS	DWG. NO.				
	SHEET				
AT	REV	DATE	DESCRIPTION	BY	

**Advanced coil**  
 Technology, LLC

TOLERANCES UNLESS NOTED	MACH	WELD	FAB	FINISH
FRACTION	1/32	1/8	1/16	REMOVE BURRS & SHARP EDGES
DECIMAL	.03	.125	.06	<b>DO NOT SCALE DRAWING</b>
ANGLE	1/2*	1*	1*	

DRAWING DESCRIPTION	
STEAM COIL MODEL DS - AIRTIGHT CASE	
MATL:	SQ. IN:
WIDTH:	LENGTH:
BEND ALLOW.	

THIS DRAWING IS THE EXCLUSIVE PROPERTY OF ADVANCED COIL TECHNOLOGY, LLC AND MAY NOT BE REPRODUCED OR DISTRIBUTED WITHOUT EXPRESS WRITTEN CONCENT.	
DRAWN BY:	DATE:
CHECKED BY:	DATE:
APPROVED BY:	DATE:
DWG. NO.	SHEET
DS	AT