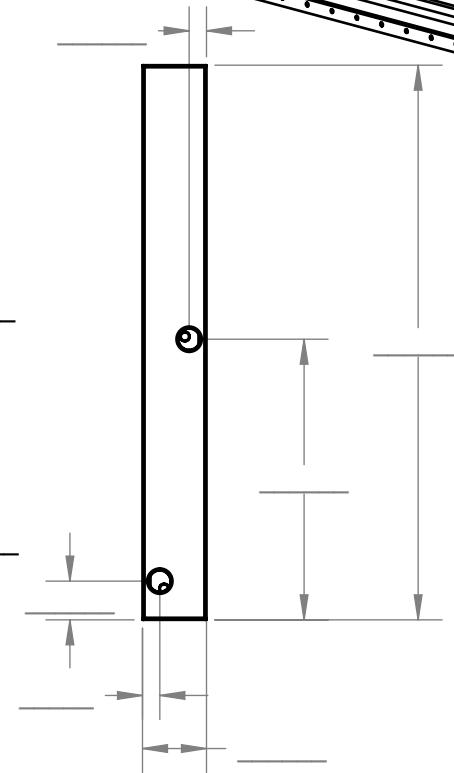
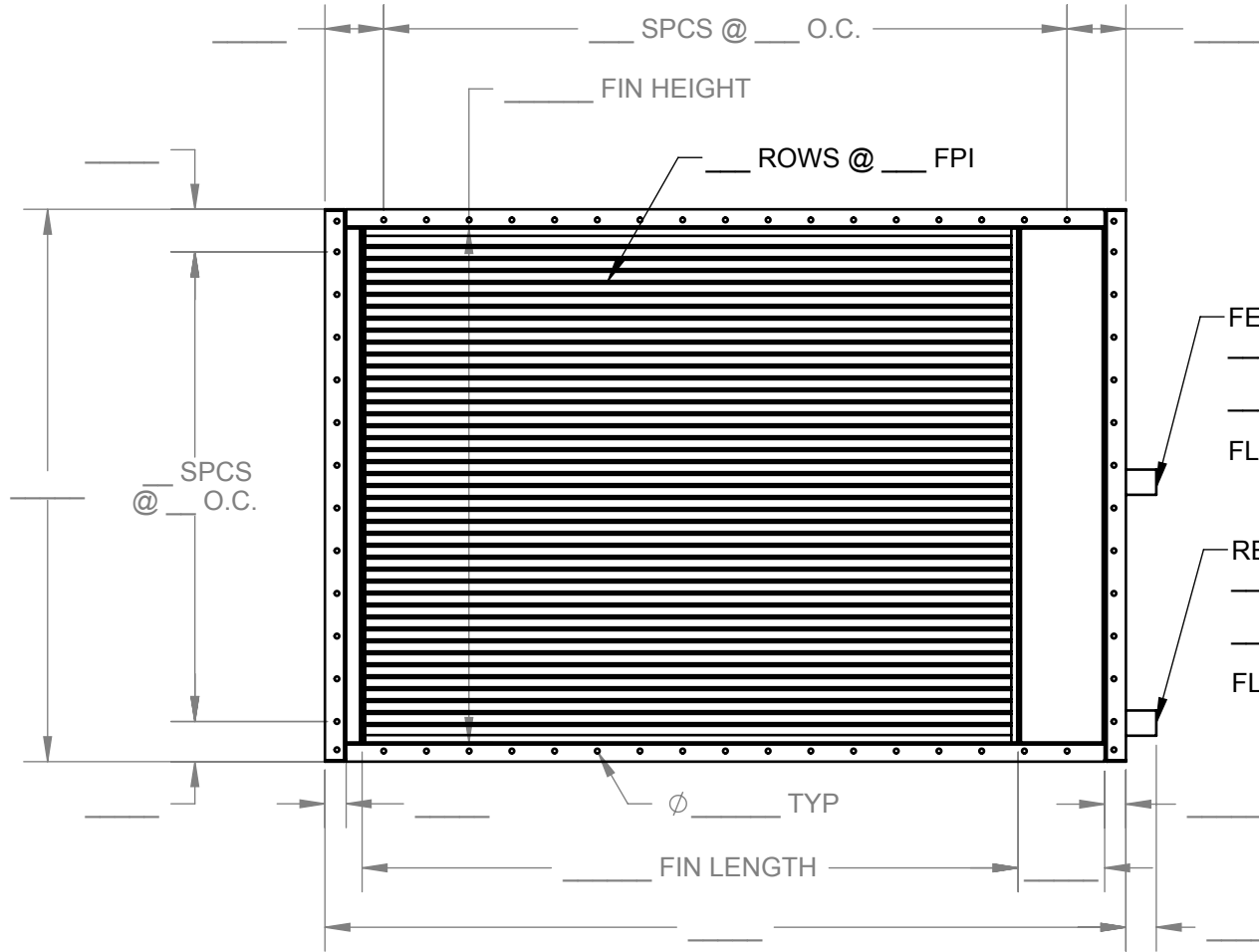
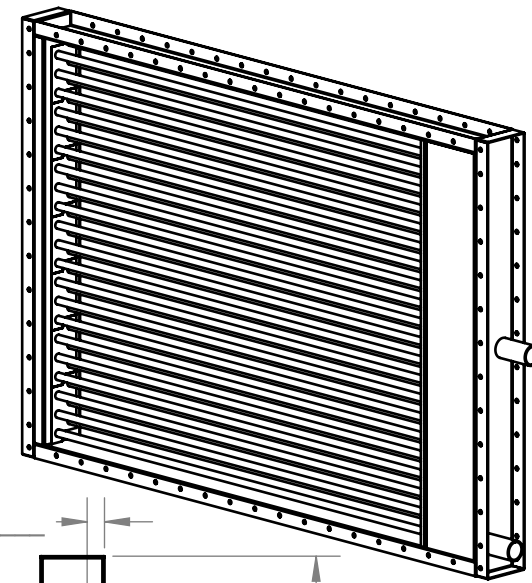


TUBE:
 FIN:
 HEADER:
 CONNECTION:
 CASE:



| | | | | | |
|-------------------|-----|------|-------------|----|--|
| DWG. NO. SU-LH | | | | | |
| | | | | | |
| SHEET AT | REV | DATE | DESCRIPTION | BY | |
| | | | | | |

Advanced coil
 Technology, LLC

| TOLERANCES UNLESS NOTED | MACH | WELD | FAB | FINISH |
|----------------------------|------|------|------|---------------------------------|
| FRACTION | 1/32 | 1/8 | 1/16 | REMOVE BURRS & SHARP EDGES |
| DECIMAL | .03 | .125 | .06 | DO NOT SCALE DRAWING |
| ANGLE | 1/2* | 1* | 1* | |

| | |
|--|---------|
| DRAWING DESCRIPTION | |
| STEAM COIL - LEFT HAND MODEL SU - AIRTIGHT CASE | |
| MATL: | SQ. IN: |
| WIDTH: | LENGTH: |
| BEND ALLOW. | |

| | |
|---|--------------------|
| THIS DRAWING IS THE EXCLUSIVE PROPERTY OF ADVANCED COIL TECHNOLOGY, LLC AND MAY NOT BE REPRODUCED OR DISTRIBUTED WITHOUT EXPRESS WRITTEN CONCENT. | |
| DRAWN BY: | DATE: |
| CHECKED BY: | DATE: |
| APPROVED BY: | DATE: |
| DWG. NO. SU-LH | SHEET AT |